
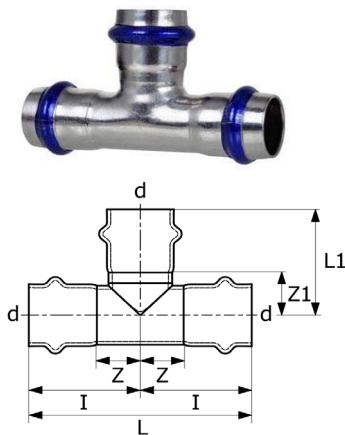


**Tappo femmina**

**Cap**

**Kappe**


Code	d	L	Z	 g	MOQ
S50ACVI-LBP	15	38	17	27	100
S50ADVI-LBP	18	39	18	32	50
S50AEVI-LBP	22	43	20	46	50
S50AFVI-LBP	28	46	22	61	50
S50AGVI-LBP	35	54	27	86	50
S50AHVI-LBP	42	64	32	125	20
S50AJVI-LBP	54	71	34	180	20

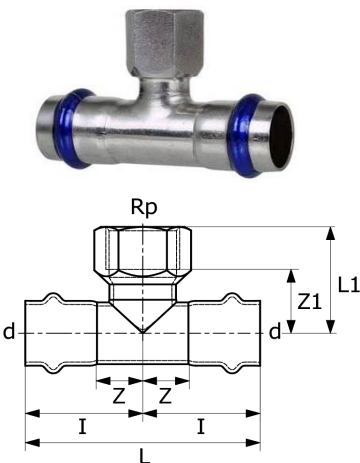


**Tee**

**T-piece equal**

**T-Stück**


Code	d	L	L1	Z	Z1	I	 g	MOQ
S40ACVI-LBP	15	74	35	16	14	37	70	100
S40ADVI-LBP	18	76	38	17	17	38	82	100
S40AEVI-LBP	22	85	41	20	18	43	111	100
S40AFVI-LBP	28	90	45	21	21	45	143	80
S40AGVI-LBP	35	106	54	26	27	53	204	50
S40AHVI-LBP	42	127	66	31	34	63	301	20
S40AJVI-LBP	54	141	77	34	40	71	419	20



**Adattatore tee - filetto femmina**

**T-piece with female thread**

**T-Stück mit I.G. Abgang**

Codice	d - Rp - d	L	L1	Z	Z1	I	 g	MOQ
S42PCVI-LBP	15-Rp $\frac{1}{2}$ -15	74	37	16	25	37	92	100
S42PDVI-LBP	18-Rp $\frac{1}{2}$ -18	76	39	17	27	38	100	80
S42PEVI-LBP	22-Rp $\frac{1}{2}$ -22	85	41	20	29	43	123	100
S42QEVI-LBP	22-Rp $\frac{3}{4}$ -22	85	41	20	28	43	140	80
S42PFVI-LBP	28-Rp $\frac{1}{2}$ -28	90	45	21	33	45	149	80
S42QFVI-LBP	28-Rp $\frac{3}{4}$ -28	90	45	21	32	45	166	50
S42RFVI-LBP	28-Rp1-28	90	48	21	32	45	190	50
S42PGVI-LBP	35-Rp $\frac{1}{2}$ -35	106	47	26	35	53	193	50
S42QGVI-LBP	35-Rp $\frac{3}{4}$ -35	106	47	26	34	53	211	50
S42PHVI-LBP	42-Rp $\frac{1}{2}$ -42	127	47	31	35	63	276	20
S42QHVI-LBP	42-Rp $\frac{3}{4}$ -42	127	51	31	38	63	281	20
S42PJVI-LBP	54-Rp $\frac{1}{2}$ -54	141	54	34	42	71	366	15
S42QJVI-LBP	54-Rp $\frac{3}{4}$ -54	141	58	34	45	71	370	15
S42RJVI-LBP	54-Rp1-54	141	62	33	46	70	395	15