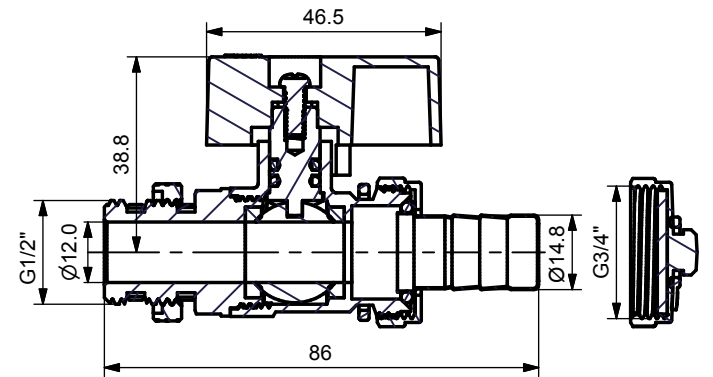


BOM						
NO.	P/N	Name	Pcs	Weight	Material	Note
1	89 001 87 Body	89 001 87 Body	1	53.3 g	CW617N	
2	181203MFZ	18x12x3.2 seat	2	0.9 g	PTFE	-20°C bis 120°C
3	89 001 87 Stem	89 001 87 Stem	1	9.7 g	CW617N	
4	1002Oring	10x2 Oring	2	0.1 g	EPDM	-20°C bis 120°C
5	20x12x3Ball	20x12x3 Ball	1	17.3 g	CW617N	
6	89 001 87 Bonnet	89 001 87 Bonnet	1	55.6 g	CW617N	
7	89 001 87 RING	89 001 87 RING	2	0.6 g	PTFE	-20°C bis 120°C
8	89 001 87 Regulation Nut	89 001 87 Regulation Nut	1	10.0 g	CW617N	
9	89 000 00 Handle	89 000 00 Handle	1	21.1 g	AL6061	red
10	m4NUT	m4NUT	1	1.1 g	Q235	
11	15mm FAUCET	1/2 FAUCET	1	3.4 g	H62	
12	20x2.3 ORING	20x2.3 ORING	1	0.2 g	EPDM	-20°C bis 120°C
13	89 001 87 CHECHIA	89 001 87 CHECHIA	1	11.5 g	CW617N	
14	Glue Chain	Glue Chain	1	1.2 g	LPC	
15	89 001 97 Glue Chain	89 001 97 Glue Chain	1	14.4 g	CW617N	
16	24.5x2Gasket	24.5x2 Gasket	1	0.9 g	EPDM	-20°C bis 120°C



-20°C bis 120°C 1/2 PN20

DRAW.:
CHK.:
APVD.:

IPG GmbH

Material: CW617N		Engineering Spec.:	Scale:
Date:	Design State:	Finish:	
Description: KFE Kugelhahn 1/2			
Part No: 89 000 00		Sheet 1 / 1	

NOTICE: These drawing and specifications are the property of HongJia Vale and may not be reproduced, copied or used without written permission.

0-6 = ±0.1
 6-30 = ±0.2
 30-120 = ±0.3
 120-400 = ±0.5